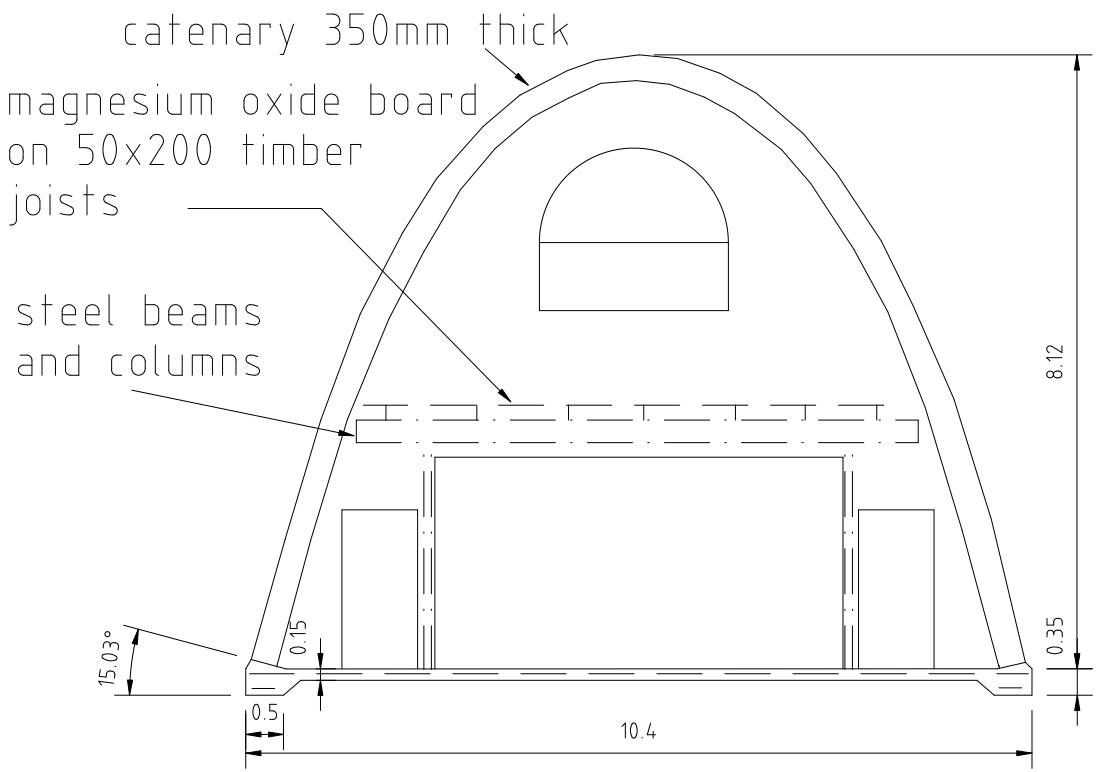
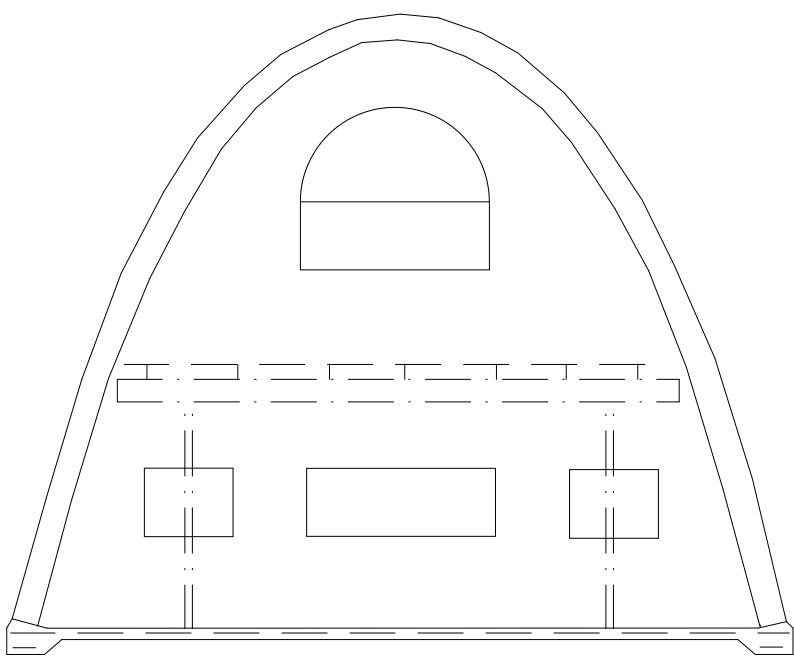


RevNo	Revision note	Date	Signature	Checked
-------	---------------	------	-----------	---------



NORTH ELEVATION



SOUTH ELEVATION

vapour barrier under concrete slab

Itemref	Quantity	Title/Name, designation, material, dimension etc			Article No./Reference	
Designed by		Checked by	Approved by - date	Filename	Date	Scale
Geopolymer hempcrete				GARAGE CATENARY VAULT		
				Edition	Sheet	

